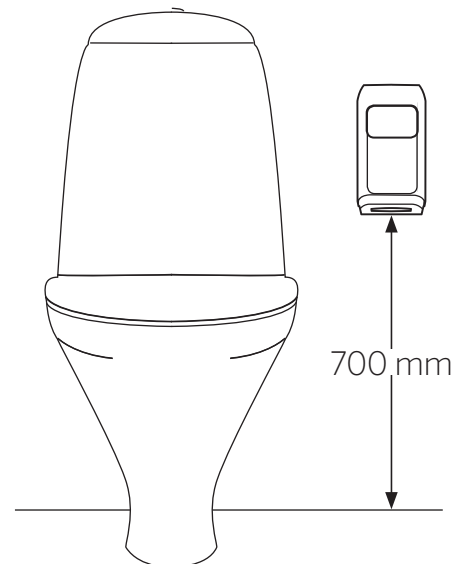
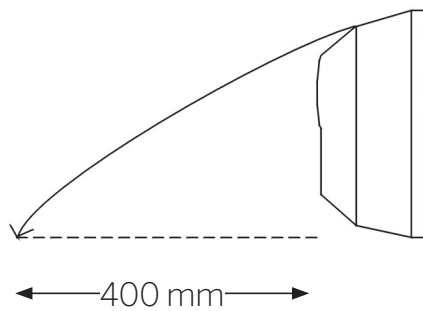
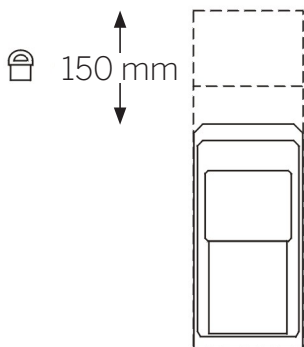
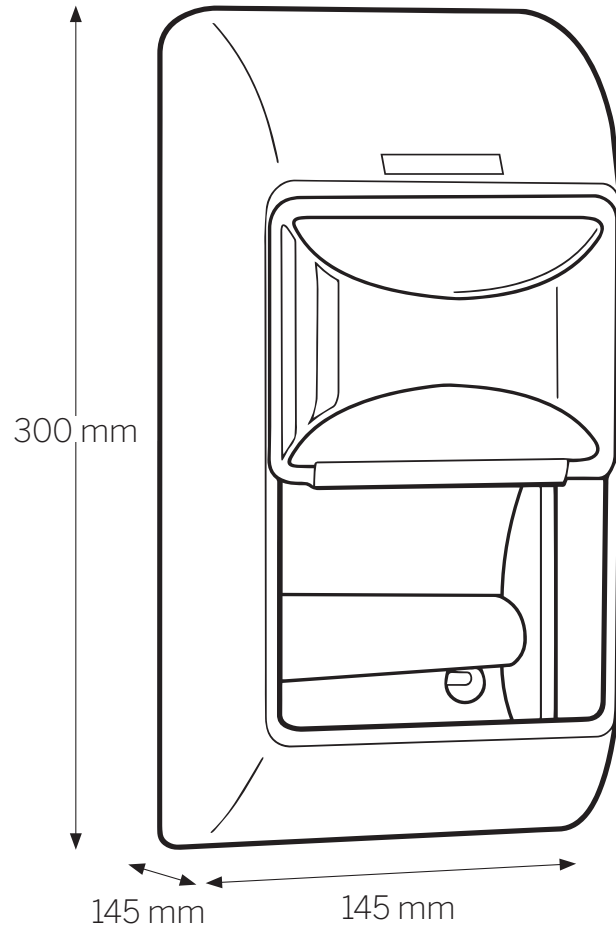
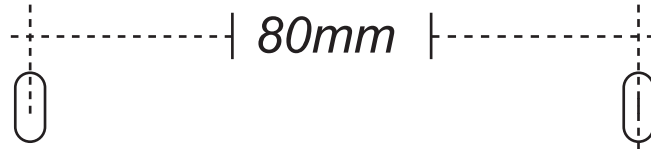


92384, 104452

KATRIN Toilet 2-roll Dispenser





INSTALLATION GUIDE
KATRIN TOILET
2-ROLL DISPENSER
SCALE 1:1

A vertical dimension line with tick marks at each end, labeled "215mm". To the left of the line are two horizontal ovals representing mounting holes, one at the top and one at the bottom. Horizontal dashed lines extend from the center of each oval to the vertical dimension line.

215mm